



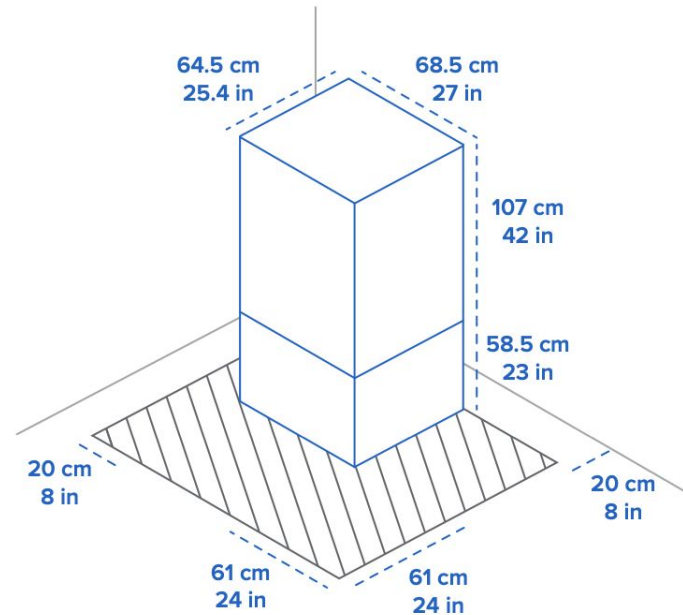
# Preparing for the Fuse 1 & Fuse Sift

Guidelines for the site setup and use the Fuse 1 and Fuse Sift

## Footprints

### The Fuse 1 requires:

- **125.5 × 149.5 × 167.5 cm (49.4 × 59.0 × 66.0 in)** for a footprint of **64.5 × 68.5 × 107.0 cm (25.4 × 27.0 × 42.0 in)**, **165.5 cm (65.0 in)** with the stand.
- Leave at least **20.0 cm (8.0 in)** to the left of the printer and **61.0 cm (24.0 in)** to the front and right of the printer free for access.
- At least **20.0 cm (8 in)** away from nearby walls.



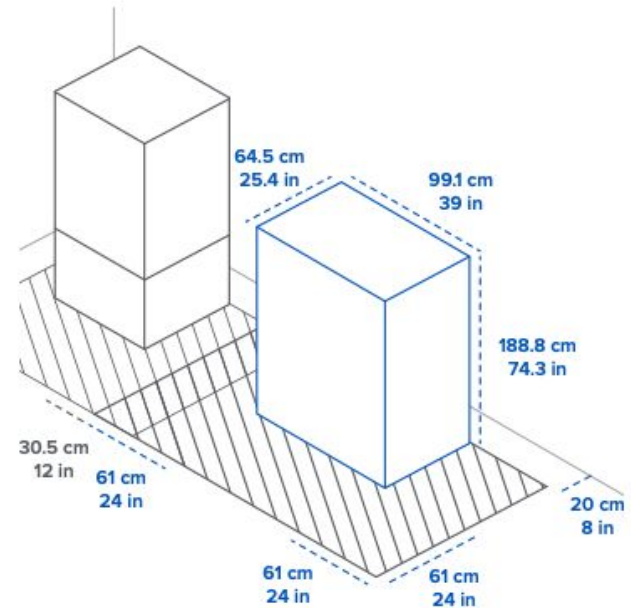
# Preparing for the Fuse 1 & Fuse Sift

Guidelines to help ensure that the site ready to receive, setup and use your Fuse 1 and Fuse Sift

## Footprints

### The Fuse Sift requires:

- **160.1 × 122.0 × 218.0 cm (63.0 × 48.0 × 85.8 in)** for a footprint of **61.0 × 99.1 × 188.8 cm (24.0 × 39.0 × 61.8 in)**.
- Leave at least **61 cm (24 in)** to the left, front, and right of the unit free for access.
- At least **20.0 cm (8 in)** away from nearby walls.
- Any overlap with the Fuse 1 access footprint to not exceed more than **30.5 cm (12.0 in)**



# Preparing for the Fuse 1 & Fuse Sift

Guidelines to help ensure that the site ready to receive, setup and use your Fuse 1 and Fuse Sift

## Environs

### The site will need to separate:

- **Machinery or tooling that generates dust or sparks, such as wood or metal working equipment from the Fuse 1 and Fuse Sift.**

### Your site will need to maintain:

- **An ambient temperature between 18 - 28 C with an HVA/C system that actively moves air into and out of the space. Keep liquids separate from powder at all times.**

